

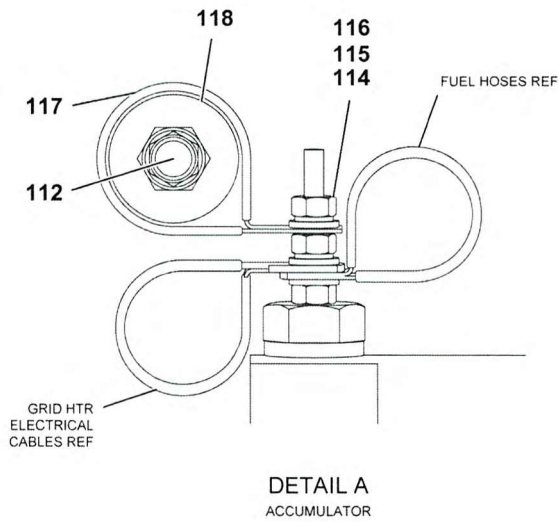
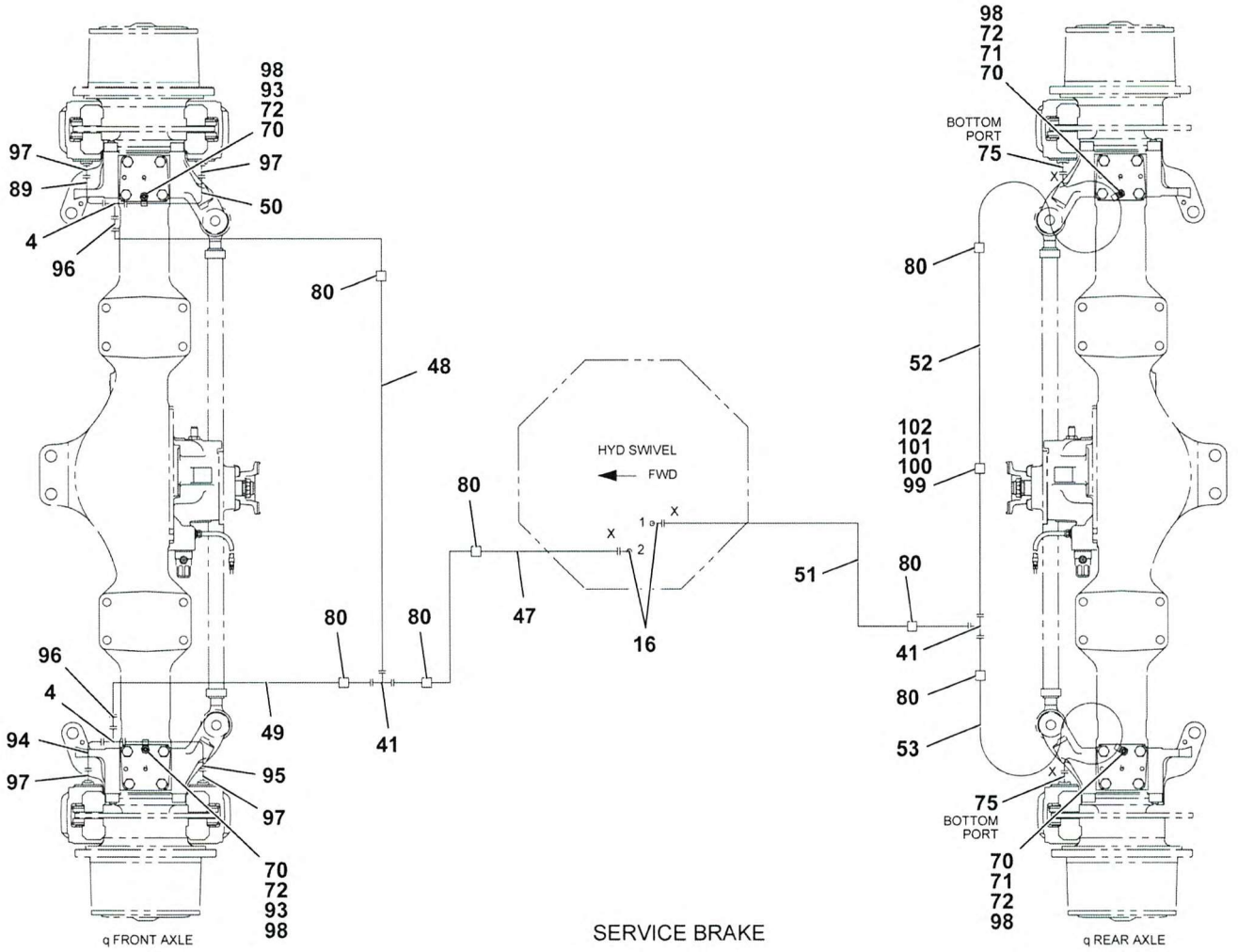
REAR AXLE LOCKOUT "CE" CONFORMITY (OPTIONAL)

(SHEET 4 OF 4)

Page 505

2189610042

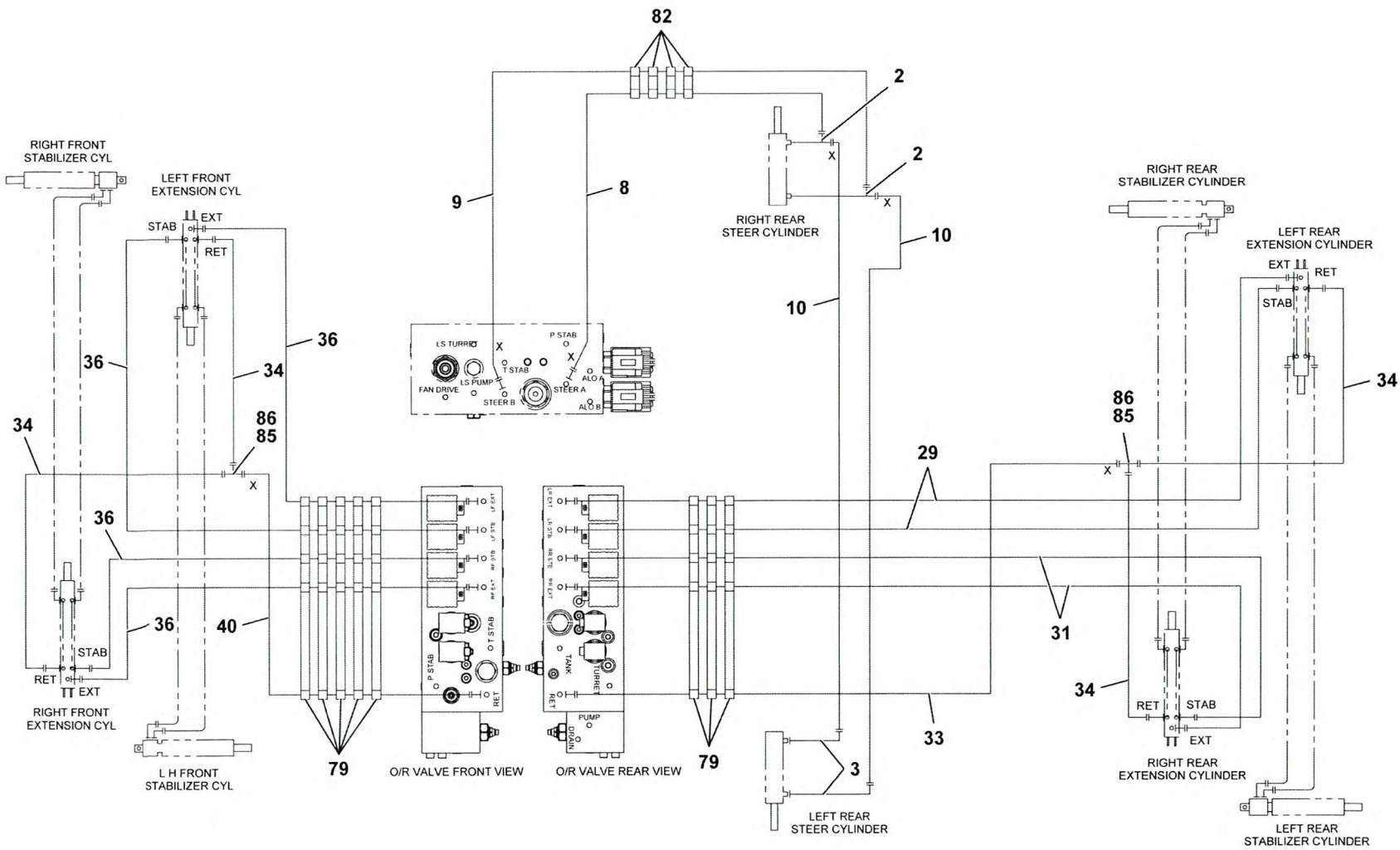
# Manitowoc Crane Group



2189610042

(SHEET 3 OF 4)

Page 506



(SHEET 2 OF 4)

